

# LightingWise®



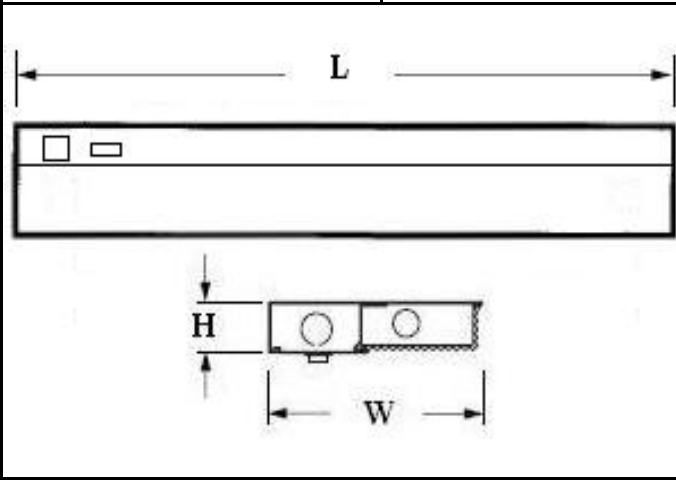
## UNDERCABINET FIXTURE

### DESCRIPTION

CATALOG	ELECTRONIC BALLAST	LAMP TYPE	NO. OF LAMPS
DL524	DXE2M5	8WT5	1

### ELECTRICAL CHARACTERISTICS

INPUT VOLTAGE	INPUT CURRENT	INPUT WATTS	FREQUENCY
120V	0.4A	8W	60HZ



### PHYSICAL DIMENSIONS

UNITS	M	L	W	H
INCHES	19.52"	24.33"	4.96"	1.10"
TOL(+/-)	0.05	0.05	0.05	0.05

### CARTON DIMENSIONS

UNITS	L	W	H
INCHES	28.54"	6.81"	1.73"

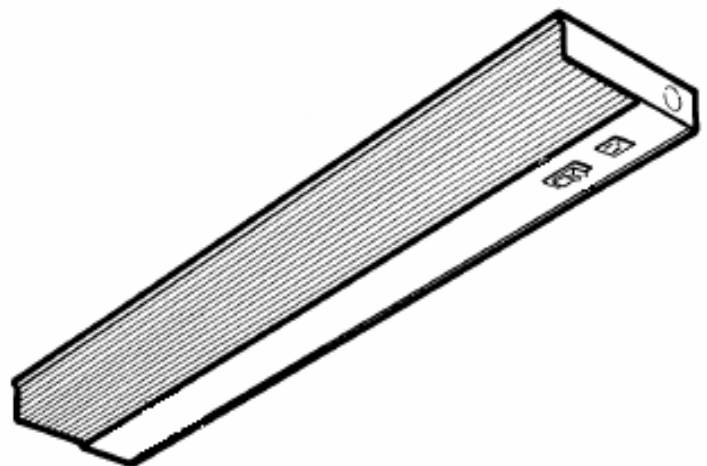
### FEATURES

- Small profile allows inconspicuous placement in confined spaces.
- Uniform, glare free illumination provided on task
- Housing keyhole slots and K.O.'s provide quick and easy installation.
- Individual or continuous row mounting.
- All welded construction provides long lasting performance.
- All parts painted after fabrication to facilitate installation, increase efficiency, and inhibit rusting.

### SPECIFICATIONS

- HOUSING-20 Ga. Die formed, welded C.R.S.
- SHIELDING-high impact, extruded white opal acrylic diffuser
- FINISH-white powder coating with 5-stage iron/phosphate prepared metal. 92% minimum average reflectance.
- ELECTRICAL-T5 pre-heat ballast with built in electronic starter, rated Class P.
- LABELS-UL listed as fluorescent fixture suitable for damp locations. CUL listing for Canada available-consult factory.
- MOUNTING-surface.

### PRODUCT PHOTO



### LUMEN SUMMARY

ZONE	LUMENS	%LAMP	%FIXTURE
0 - 30	113.	14.5	24.0
0 - 40	185.	23.6	39.4
0 - 60	325.	41.6	69.1
0 - 90	434.	55.5	92.2
90 - 120	25.	3.2	5.3
90 - 130	31.	3.8	6.5
90 - 150	36.	4.6	7.6
90 - 180	37.	4.7	7.8
Total Luminaire 0 - 180	471.	60.2	100.0

### TOTAL LUMINAIRE

OPTICAL EFFICIENCY = 60.2%