

LightWise®



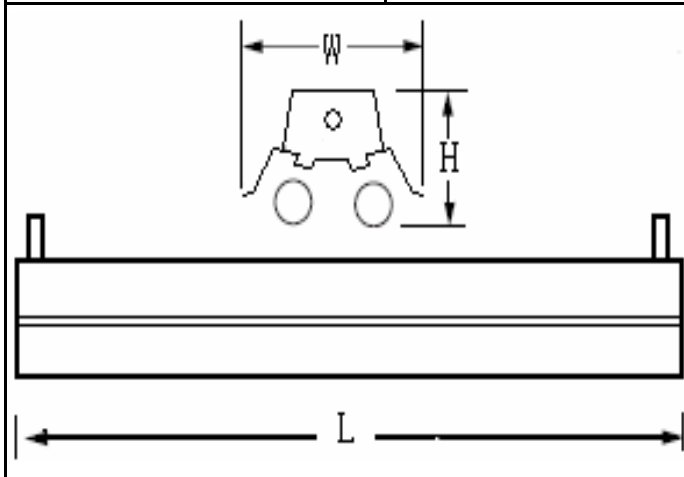
OPENSTRIP LIGHT

DESCRIPTION

| | | | |
|---------|--------------------|---------------------|--------------|
| CATALOG | ELECTRONIC BALLAST | LAMP TYPE | NO. OF LAMPS |
| DL473 | DXE2H8 | F32T8, F25/34/40T12 | 2 |

ELECTRICAL CHARACTERISTICS

| | | | |
|---------------|---------------|-------------|-----------|
| INPUT VOLTAGE | INPUT CURRENT | INPUT WATTS | FREQUENCY |
| 120V | 0.56A | 58.5W | 60HZ |



PHYSICAL DIMENSIONS

| | | | | |
|----------|--------|--------|------|-------|
| UNITS | M | L | W | H |
| INCHES | 45.08" | 47.95" | 7.0" | 3.09" |
| TOL(+/-) | 0.05 | 0.05 | 0.05 | 0.05 |

CARTON DIMENSIONS

| | | | |
|--------|--------|-------|-------|
| UNITS | L | W | H |
| INCHES | 49.21" | 7.59" | 3.35" |

FEATURES

- Channel connector for continuous row applications.
- 1 quarter-turn fastener secures wireway cover to housing.
- Over 95% efficient
- Factory mounted, pre-wired sockets cut installation time.
- Hinging/locking lamp bracket cuts installation time.

SPECIFICATIONS

- HOUSING - 22 gauge die formed C.R.S.
- FINISH - white powder coating with 5-stage iron/phosph prepared metal. 92% minimum average reflectance.
- ELECTRICAL - electronic ballast standard, programmed start, rated Class P.
- LABELS - UL & CUL listed as fluorescent luminaire suitable for dry or damp locations.
- MOUNTING - surface or suspended mount.

PRODUCT PHOTO

