

LightWise®



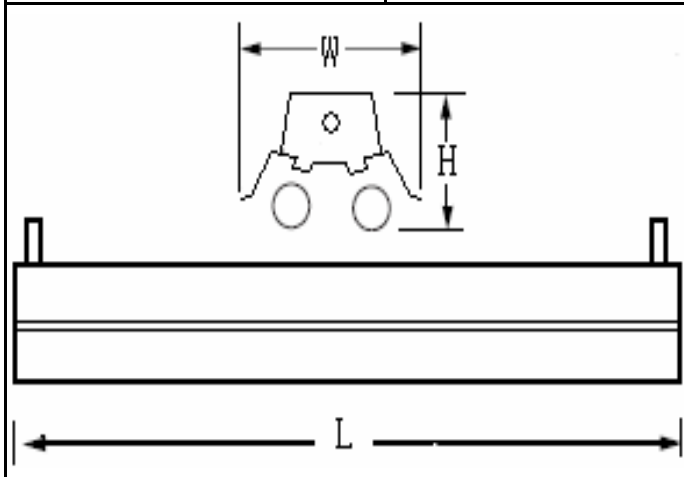
OPENSTRIP LIGHT

DESCRIPTION

CATALOG	ELECTRONIC BALLAST	LAMP TYPE	NO. OF LAMPS
DL463	DXE2H8	F32T8, F25/34/40T12	2

ELECTRICAL CHARACTERISTICS

INPUT VOLTAGE	INPUT CURRENT	INPUT WATTS	FREQUENCY
120V	0.56A	58.5W	60HZ



PHYSICAL DIMENSIONS

UNITS	M	L	W	H
INCHES	45.08"	47.95"	4.72"	3.09"
TOL (+/-)	0.05	0.05	0.05	0.05

CARTON DIMENSIONS

UNITS	L	W	H
INCHES	49.21"	5.31"	3.35"

FEATURES

- Channel connector for continuous row applications.
- 1 quarter-turn fastener secures wireway cover to housing.
- Over 95% efficient
- Factory mounted, pre-wired sockets cut installation time.
- Hinging/locking lamp bracket cuts installation time.

SPECIFICATIONS

- HOUSING - 22 gauge die formed C.R.S.
- FINISH - white powder coating with 5-stage iron/phosph prepared metal. 92% minimum average reflectance.
- ELECTRICAL - electronic ballast standard, programmed start, rated Class P.
- LABELS - UL & CUL listed as fluorescent luminaire suitable for dry or damp locations.
- MOUNTING - surface or suspended mount.

PRODUCT PHOTO

